

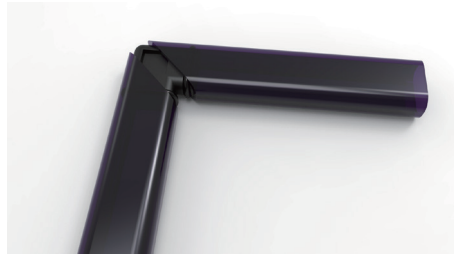
4

3

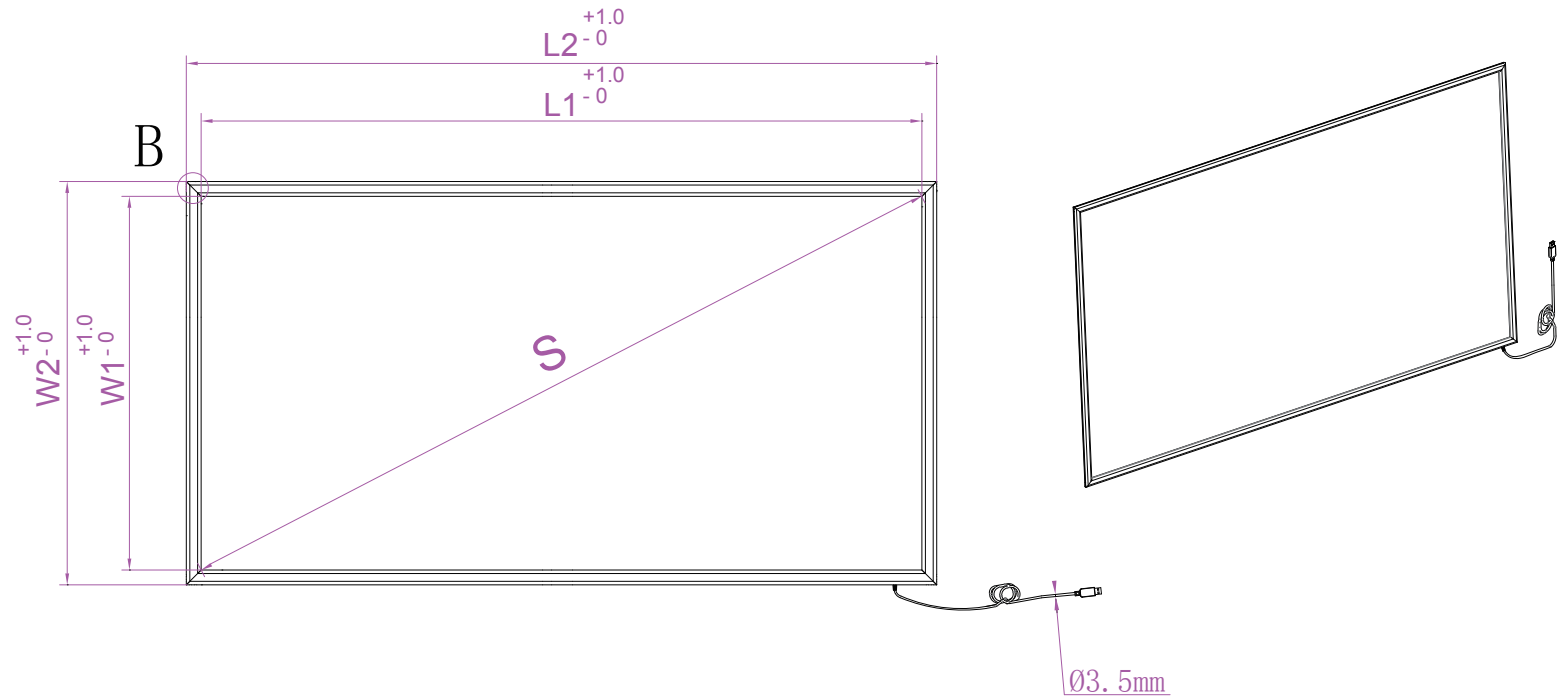
2

1

A



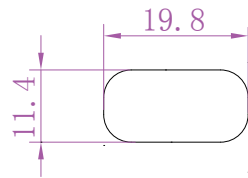
B



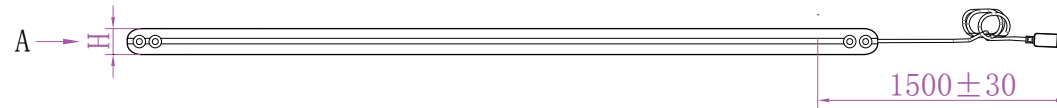
A

B

C



A



C

S(Inch/mm)	46.63"/1184.36
W1	582.2(+1/-0)
W2	621.8(+1/-0)
L1	1030.6(+1/-0)
L2	1070.2(+1/-0)
H	11.4 ±0.2



Anti-Sunlight, No Blind Zone For Any Size



D

Material:	plastic	Unit:	mm	Date:		Rev:	1.0
Draft by:		Approved by:					

4

3

2

1