

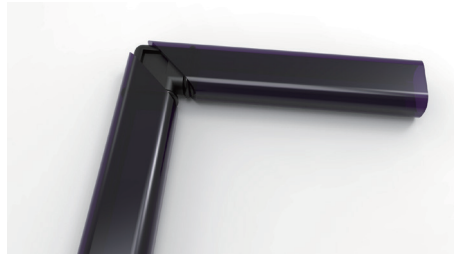
4

3

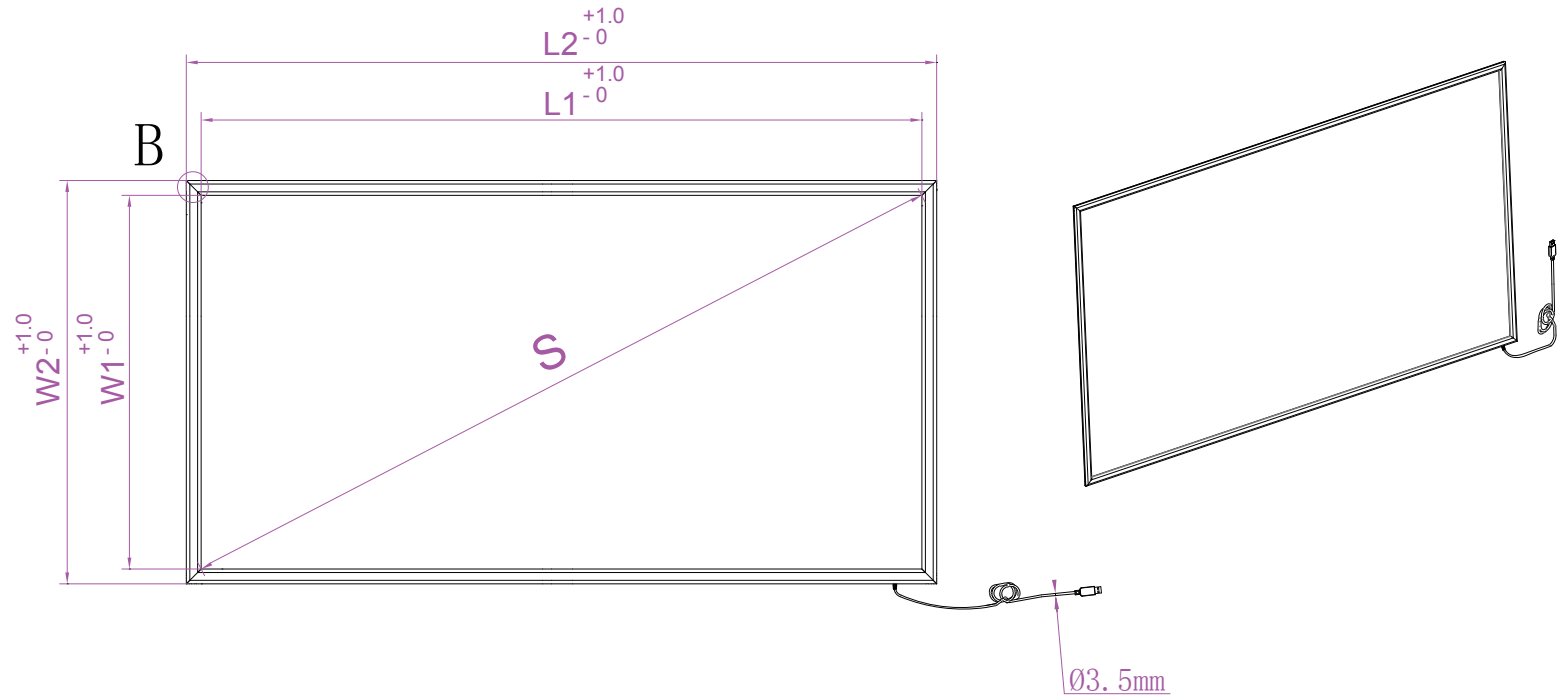
2

1

A



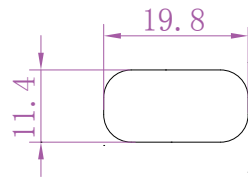
B



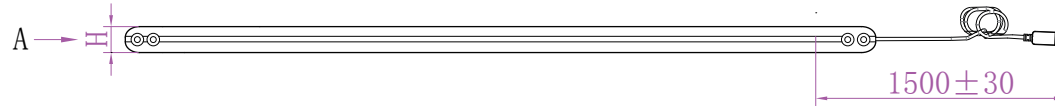
A

B

C



A



C

S(Inch/mm)	42.65"/1083.41
W1	535(+1/-0)
W2	574.6(+1/-0)
L1	942.1(+1/-0)
L2	981.7(+1/-0)
H	11.4 ±0.2



Anti-Sunlight, No Blind Zone For Any Size



D

Material:	plastic	Unit:	mm	Date:		Rev:	1.0
Draft by:		Approved by:					

4

3

2

1